

KaVo PHYSIO One

Where price meets
performance.



KaVo. Dental Excellence.

The new KaVo PHYSIO One...

Getting it right is important.

In your daily practice, a work chair that provides a comfortable and proper sitting position is particularly important. That's because an anatomically natural body posture allows you to work in a relaxed manner that is easy on your back.

Furthermore, the KaVo PHYSIO One offers reliable KaVo quality and an attractive, functional, modern design – at an outstanding price/performance ratio.

A relaxed working environment begins with the right seating.

Thanks to various setting options, the KaVo PHYSIO One adjusts itself quickly and easily to your individual needs:

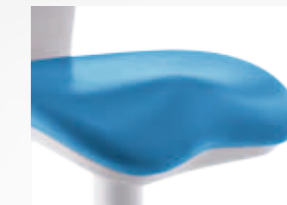
- Variable and individually adjustable seating height and tilt
- Ergonomically shaped back and seat cushions
- Stable sitting thanks to the specially formed seat
- Freedom of movement thanks to the rounded thigh support

...the one and only stool you need.

Colourful comfort.

Besides ergonomic benefits, the KaVo PHYSIO One comes in attractive colours and a functional design. Select the colour that best matches you and your practice. The KaVo PHYSIO One is available in all the KaVo treatment unit colours.

The design of the KaVo PHYSIO One follows the principle of "less is more". Hence, the lean structure of the base provides a lot of space for moving around. Thus, every sitting position is comfortable for you and your assistants and allows you to fully concentrate on your work.



The base is compact, offering a lot of freedom to move around and good access to the patient. The specially shaped seat supports a stable sitting posture.



You can count on it: the KaVo PHYSIO One is manufactured from high-quality materials, guaranteeing reliability and a long service life

All the benefits at a glance:

- Ergonomics and comfort for every sitting position and fatigue-free working
- KaVo quality at an outstanding price/performance ratio
- Attractive colours and a modern design for an individual configuration of the practice

Adjustable to any body size and anatomical requirement.

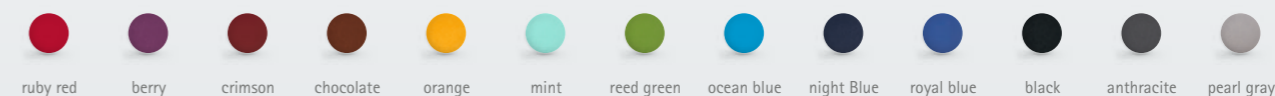
High quality, safe hygiene.

The reliable KaVo quality and use of sophisticated materials guarantee your lasting enjoyment of the KaVo PHYSIO One.

Hygiene is taken into consideration as well: surfaces that are easy to clean and accurate material processing with very small gaps support a reliable hygiene as well as quick and efficient cleaning.

An investment that pays.

Are you looking for ergonomics, comfort and high quality at an outstanding price/performance ratio? Then the KaVo PHYSIO One is the ideal work chair for your practice. The high manufacturing quality of the KaVo PHYSIO One provides durability and sturdiness for long-term, intensive use in your practice.

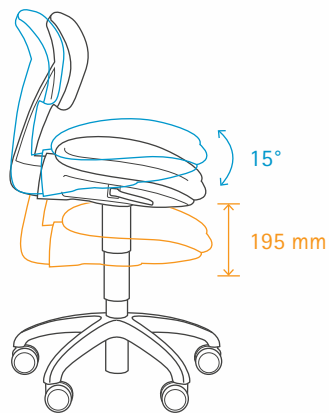


ruby red berry crimson chocolate brown orange mint reed green ocean blue night blue royal blue black anthracite pearl gray



Technical Specifications

Minimum height of the seat	465 mm
Maximum height of the seat	660 mm
<hr/>	
Adjustment range of the seat height	195 mm
<hr/>	
Max. width of the seat	400 mm
Depth of the seat	380 mm
<hr/>	
Adjustment range for the backrest/seat tilt	15°
<hr/>	
Base diameter	535 mm
<hr/>	
Weight	12 kg



KaVo. Dental Excellence.