



SINCE 1948: EXPERIENCE AND INNOVATION

FARO S.p.A. was founded by Osvaldo Favonio to construct equipment for dental units manufacturers, dental practices and laboratory. The production factory based in Ornago (MB) where design, research and development are carried out with the production team covers an indoor surface area of over 5.000 m². The company is an international leader in its sector, a position that has been attained through keen perception of the market combined with technological research, and the typical "Made in Italy" construction capacity focused on meeting the requirements of dental units manufacturers, national and international distributors.

Six production lines

- **Illumination:** international leader in LED operating shadow-removing lights, offers the widest range of models to meet all requirements.
- **Components for dental units:** valves for instruments control, tubes and foot pedals.
- **Instruments for dental surgery:** turbines, handpieces, micromotors, syringes, scalars.
- **Sterilization:** class B autoclaves, water distillers, water treatment systems.
- **Products for dental laboratory:** motors, handpieces, micromotors, model trimmers.
- **Hi-Tech:** monitor for medical instruments, endoscopes, fixed and mobile monitor/pc holder arms, holders.

Qualified pre and post-sales customer care, spare parts and repairs.

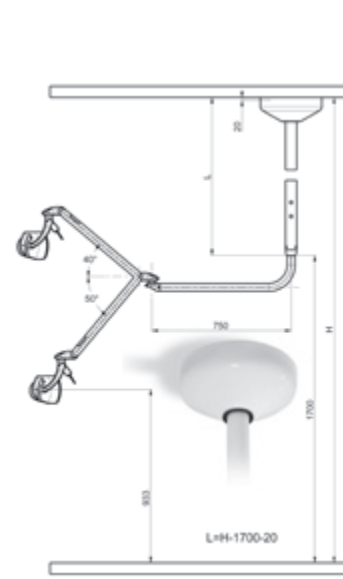
FARO is an international brand

FARO products are present in over eighty countries in the world through a capillary network of agents and dealers.

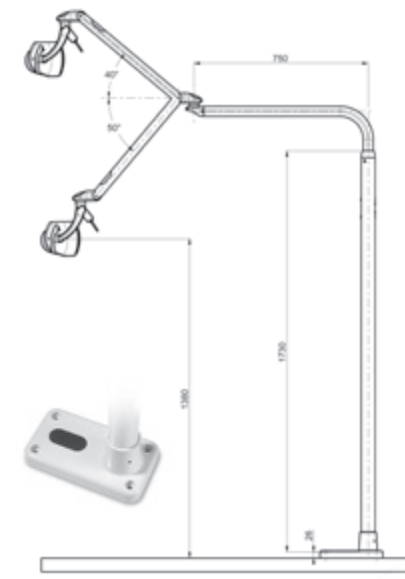
Two European branches since 2003: France and Germany.



WALL APPLICATION



CEILING APPLICATION



FLOOR APPLICATION

The exclusive accessories by FARO

POLIBLOCK

Composite anti-polymerization filter

- Easy to fit
- Modifies the light emission spectrum, avoiding the activation of composites
- Reduces the polymerizing effect over 99,9% on photo activator sensible resins between 360 and 520 nm
- Sterilizable at 121° C (guaranteed up to 40 cycles)



BLUE-BAN & BABY BLUE-BAN

Glasses for adults and children

- Full protection of delicate children's eyes and patients with eye diseases
- Unique adults size/unique children size
- Sterilizable at 121° C



PERFLEX

Dental lights detergent

- New sanitizing composition
- Specific for dental cabinets
- Recommended to clean the reflecting parabolas and the parts in plastic
- Antistatic, non-polluting and biodegradable over 90%



SINCE 1948: EXPERIENCE AND INNOVATION



MAIA

NEW

LED operating dental unit light

NEW DESIGN

NEW PATENTED OPTICAL PROJECT FOR A SCIALYTIC EFFECT: uniformity and width of the spotlight

NEW LED for a real perception of objects colours

OPTIMAL PRICE/QUALITY RATIO

M92001011 - REV.2 - ING



FARO S.p.A. - via Faro, 15 - 20876 Ornago (MB) - Italy - Tel. +39 039.68781 - Fax +39 039.6010540 - www.faro.it
FARO FRANCE - Za Tgv Coriolis - 71210 Monchanin - France - Tel. +33 385.779680 - Fax +33 385.779688 - www.farofrance.com
FARO DEUTSCHLAND GMBH - Gewerbehof Heideckhof Heideckstr. 179 D-47805 Krefeld - Germany - Tel. +49 2151.936921 - Fax 933 - www.faro.it



SINCE 1948: EXPERIENCE AND INNOVATION

MAIA

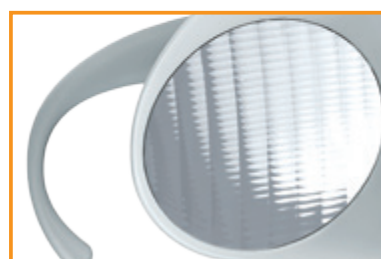
High technology in tune with the market

A product that FARO makes available to professional people looking for a scialytic dental light with high performance at a very competitive price.

PATENTED OPTICAL PROJECT WITH REFLECTED LIGHT

Thanks to the exclusive optical project with reflected light, the 258 small reflecting parabola facets avoid the direct rays of the 2 LEDs, creating an absolutely uniform spotlight area of 170x85 mm.

The accurate definition of the spotlight removes the glare, protecting your patients' eyes.



REFLECTING PARABOLA

THE PROGRESSIVE REGULATION OF LIGHT INTENSITY

It's provided with an advanced electronic device that manages the regulation from maximum to minimum, in order to assure a constant colour temperature (equal to 5.000 K) at every level of brightness (from 3.000 to 35.000 lux).



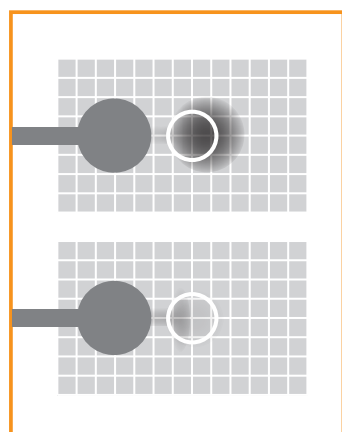
INTENSITY CONTROL

CHROMATIC PERFORMANCE (CRI)

The color rendering index of new MAIA dental light ensures a correct and realistic colors match during the daily work.

THE SHADOW-REDUCING EFFECT

The new MAIA light produces a net shadow: an ellipse of 9x6 mm



Ø 12 mm Maximum net shadow dimension: requirement requested by standards.

THE SCIALYTIC EFFECT OF MAIA (AN ELLIPSE OF 9x6 mm)

HANDLES

Removable and sterilizable handles.



REMOVABLE HANDLES

STANDARD ARM COLORS:

RAL 9002 - RAL 9010 - Powder White

LIGHTING

The light intensity is between 3.000 and 35.000 lux.



Technical Features

GENERAL FEATURES

Power supply: 17 - 24 Vac 50/60 Hz - 22 - 35 Vdc

Power supply with transformer: 230 V - 50/60 Hz

Absorbed power: max 9 VA

Silent: it doesn't need fan

Sterilizable and easy to remove handles

Rotation: on two axes

Medical Device complies with Directive 93/42/CE and s.m.i. - Medical devices - class I
Applied Standards: EN 60601-1, EN 60601-1-2, EN 60825, EN 62471; Guaranteed 12 months

NOTICE: all technical specifications showed in this folder are typical values subject to tolerance

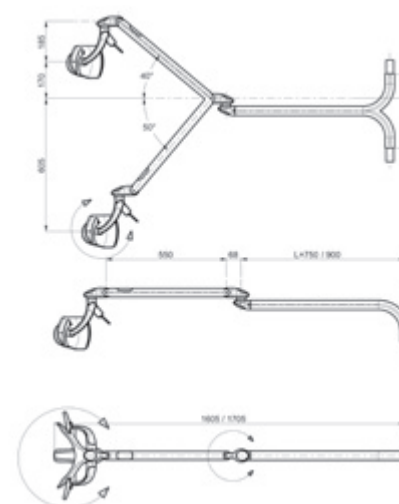
ELECTRONIC CONTROL

- Switching on/off from the head;
- Switching on/off version also from unit or by foot control;
- Electronic lighting regulation from maximum to minimum through a microprocessor

OPTIONAL

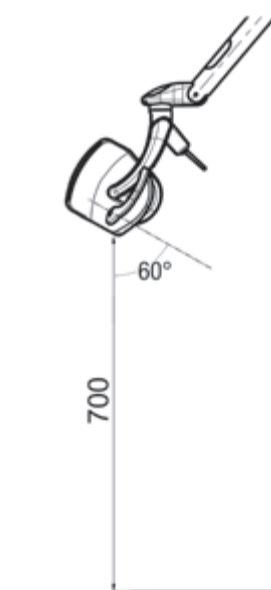
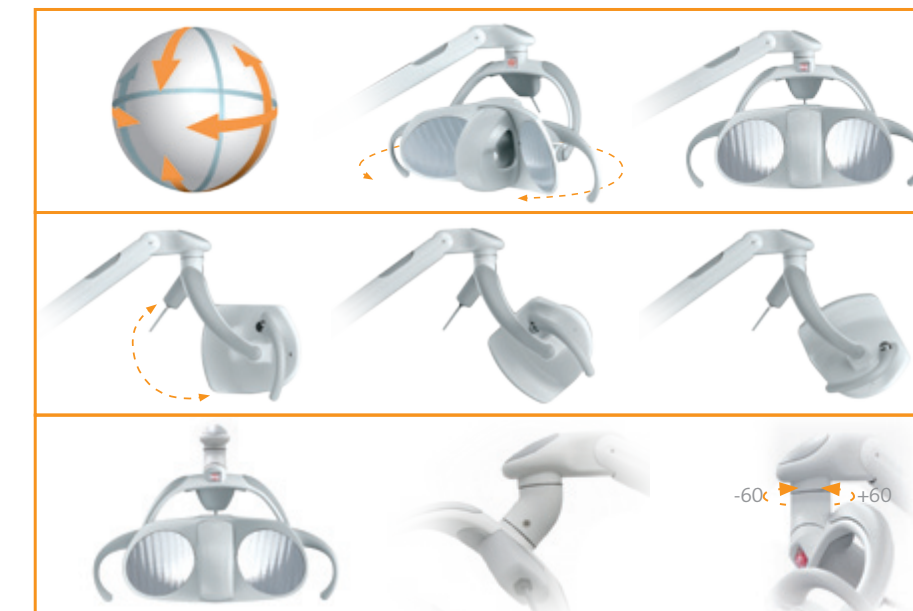
- Switching on/off by Proximity Sensor
- Remote control from the unit: allows user to repeat all switch functions
- Rotation on Third Axis
- Complete Ral colours range
- Extended Warranty to 24 months

CE Medical Device complies to the directive 93/42/CE
FARO SPA Ornago (Italy)



DIMENSIONS

Rotation on two axes or optional on three axes



ROTATION ANGLE

EASY TO MOVE

Perfect balancing, combined with the exclusive head rotation system on two axis. Moreover, choosing the third axis rotation option, it's possible to achieve a better positioning of the luminous flux.

